

57BYG

典型应用领域:

监控器
衡器
舞台灯光
医疗器械
银行终端

Typical Applications:

Monitor
Weighing Apparatus
Stage Lighting
Medical Appliance
Banking Terminal



性能参数 Performance Parameters

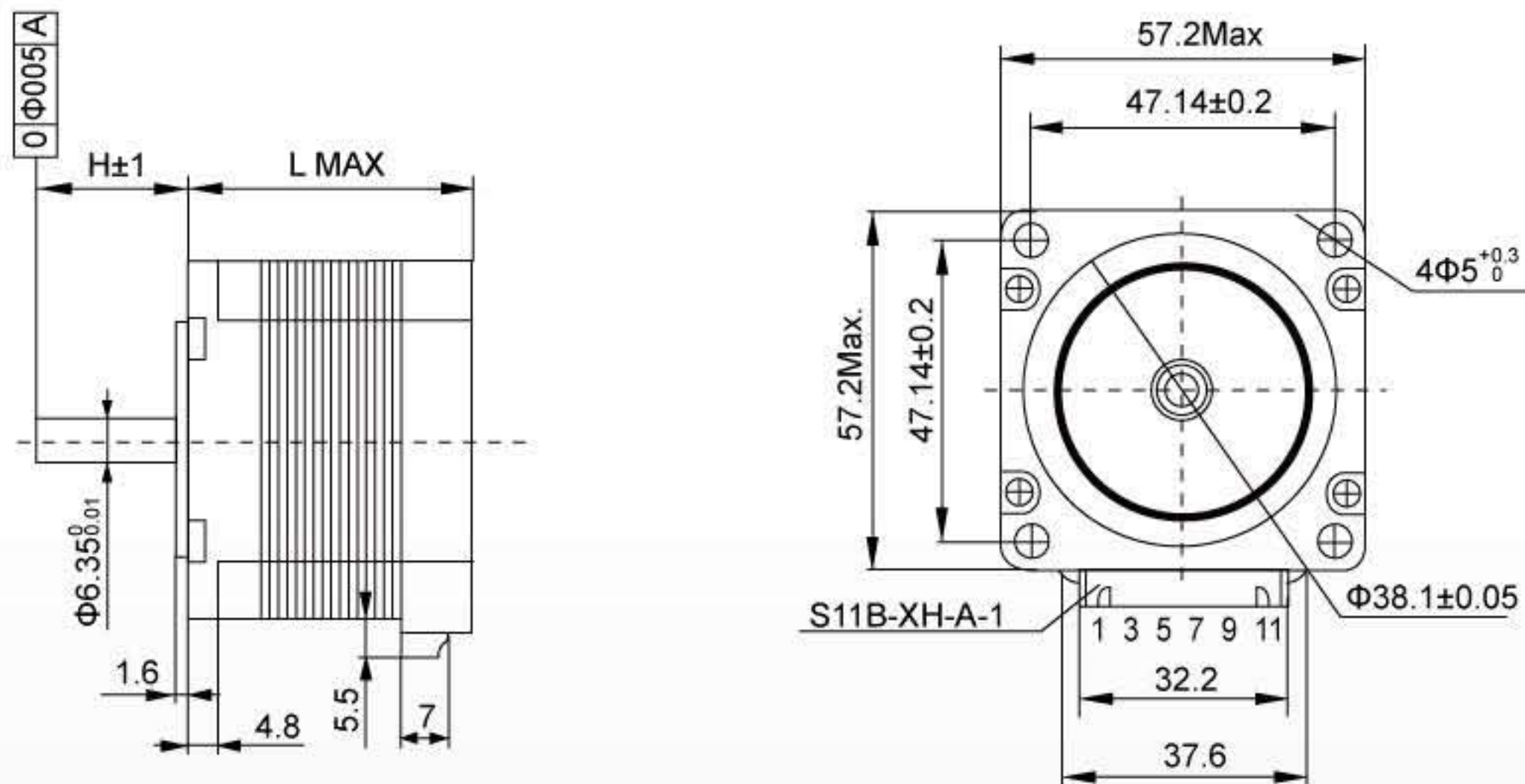
单极性驱动 UNI-POLAR DRIVE

型号 Model	额定电压 Drive Voltage (V)	电流 Drive Current (A)	电阻 Phase Resistance (Ω)	电感 Inductance (mH)	保持转矩 Holding Torque (mN.m)	运行转矩 Pull-out Torque (mN.m) (1000pps)	定位转矩 Detent Torque (mN.m)	启动频率 MAX.starting pulse rate (PPS)	运动频率 MAX.slewing pulse rate (PPS)	重量 Motor weight (kg)	引线 Lead wire Number	总高 Motor length (mm)
57BYGH120	24	1.5	2.5	4	550	460	22	1700	3500	0.46	6	41

双极性驱动 BI-POLAR DRIVE

型号 Model	额定电压 Drive Voltage (V)	电流 Drive Current (A)	电阻 Phase Resistance (Ω)	电感 Inductance (mH)	保持转矩 Holding Torque (mN.m)	运行转矩 Pull-out Torque (mN.m) (1000pps)	定位转矩 Detent Torque (mN.m)	启动频率 MAX.starting pulse rate (PPS)	运动频率 MAX.slewing pulse rate (PPS)	重量 Motor weight (kg)	引线 Lead wire Number	总高 Motor length (mm)
57BYGH101	8.4	0.7	12	25	490	360	22	1700	4500	0.46	4	41
57BYGH301	8.4	0.8	10.5	30	960	40	40	1500	2700	0.6	4	52
57BYGH402	6.7	0.88	7.5	25	980	45	45	1700	3500	0.6	4	56

机械尺寸 Mechanical Dimensions:mm



矩频曲线图 Frequency-torque characteristics

